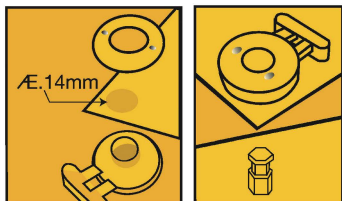
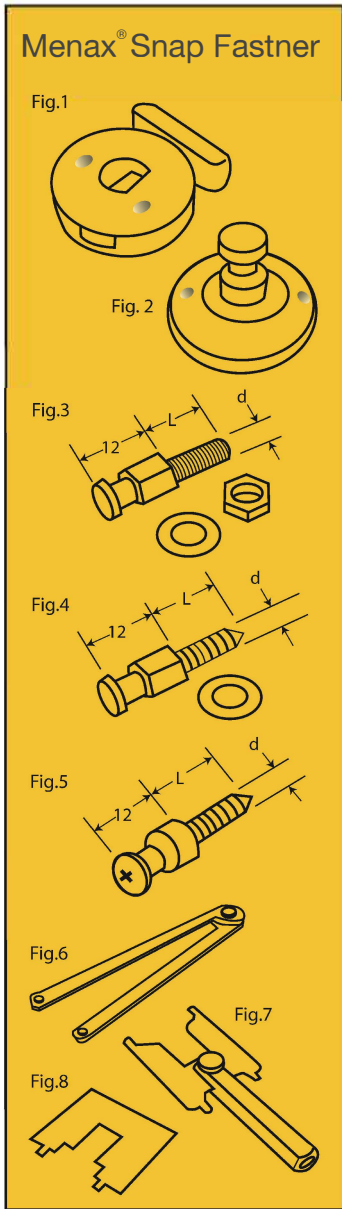


# MENAX® SNAP FASTENERS



Description	Dimensions		Weight	Qty.	Part #
	L mm	d mm			
<b>MENAX® Snap Fastener with Threaded Washer Nut, POM</b> (Fig. 1)  white white black black			0,4	100	23-2010-71-21
			4,0	1000	23-2010-71-31
			0,4	100	23-2010-79-21
			4,0	1000	23-2010-79-31
<b>MENAX® Fabric to Fabric Post with Threaded Washer Nut, POM</b> (Fig. 2)  white white black black			0,3	100	23-2020-71-21
			3,0	1000	23-2020-71-31
			0,3	100	23-2020-79-21
			3,0	1000	23-2020-79-31
<b>MENAX® Screws with Washer</b>  Machine Screw Post with Washer & Nut, Brass, Nickel Plated, Metric (Fig. 3)  Wood Screw Post with Washer (Fig. 4) Brass, Nickel Plated  Stainless Steel Post Screw with Collar (Fig. 5)  Stainless Steel Post Collar	8	M4	0,4	100	23-2108-21-21
	12	M4	0,5	100	23-2112-21-21
	20	M4	0,9	100	23-2120-21-21
	12	4	0,4	100	23-2325-21-21
	15	3,5	0,3	100	23-2425-18-21
	30	3,5	0,4	100	23-2440-18-21
			100	23-2420-18-21	
<b>Assembly Wrench</b>  Standard (Fig. 6)  Driver Key for use with Cordless Drill (Fig. 7)  Hand Key (Fig. 8)			0,04	1	81-2001-19-01
			0,04	1	81-2002-19-01
			0,04	1	81-2003-19-01